



建德鋁業私人有限公司

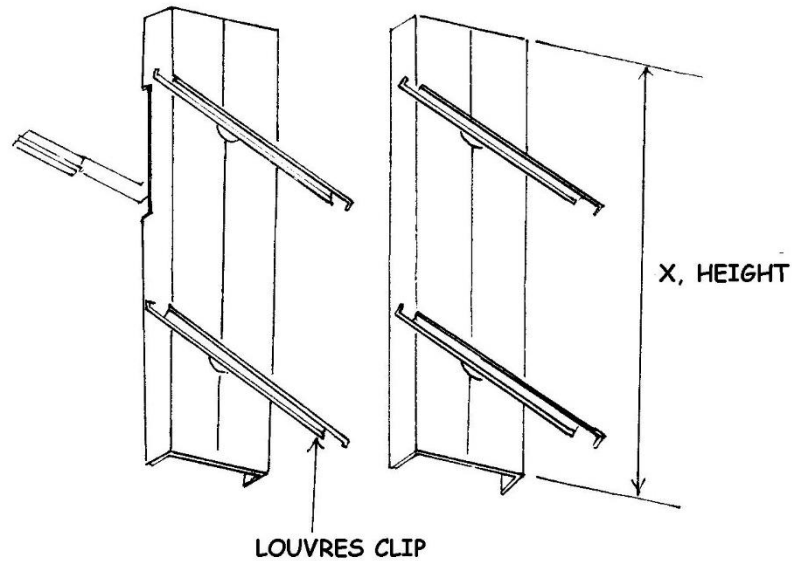
**C & D ALUMINIUM PTE LTD**

27 Mandai Estate #01-08 Innovation Place Tower 2 Singapore 729931

Tel : 67633288 Fax : 67624140

Email : sales@cndalum.com.sg

## ALUMINIUM ADJUSTABLE WINDOW



BLADES	X , HEIGHT	
	Inch	CM
2	12.00	30.48
3	17.50	44.45
4	23.00	58.42
5	28.50	72.39
6	34.00	86.36
7	39.50	100.33
8	45.00	114.30
9	50.50	128.27
10	56.00	142.24
11	61.50	156.21
12	67.00	170.18
13	72.50	184.55
14	78.00	198.12